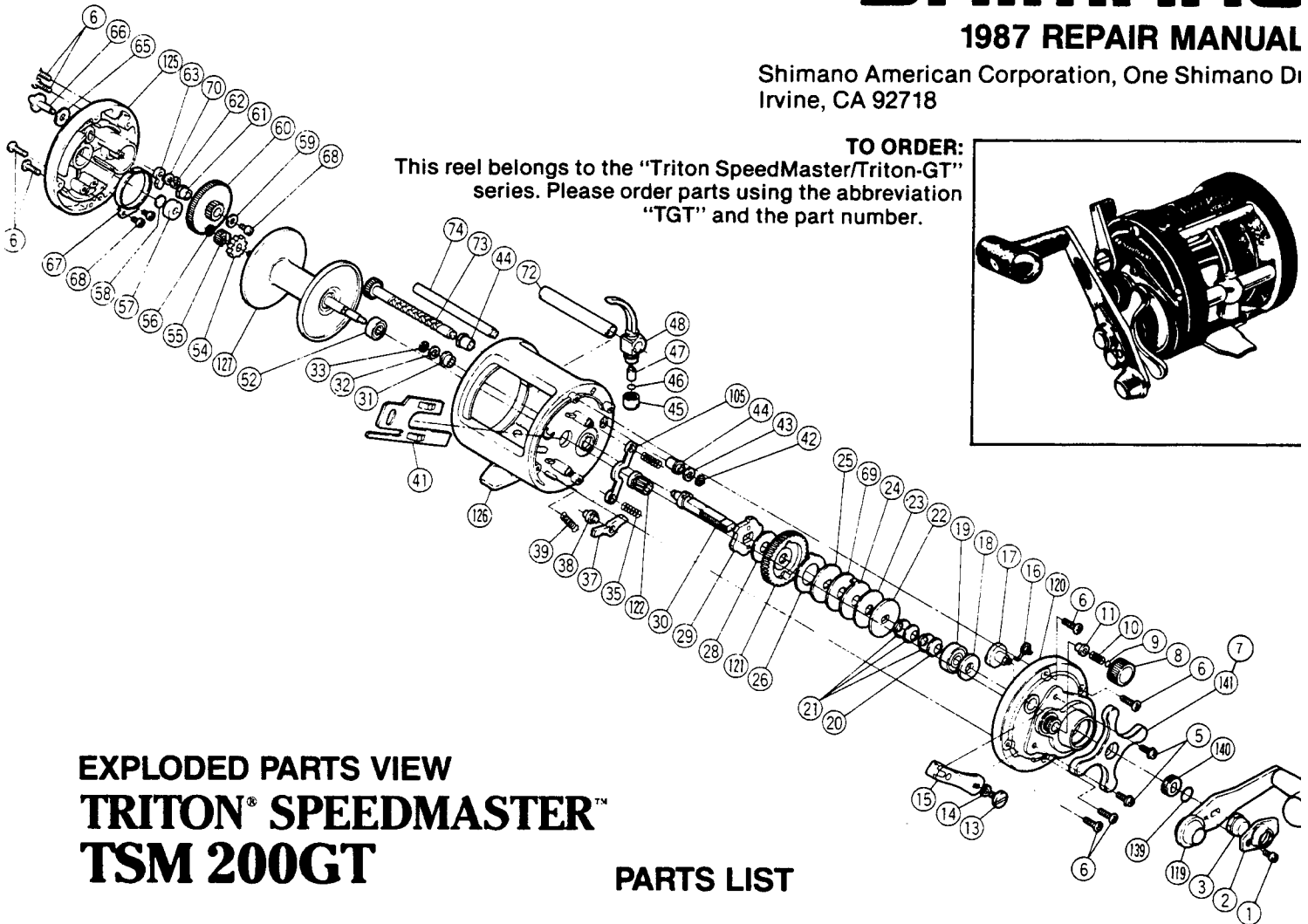
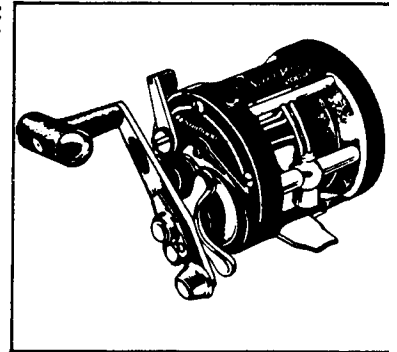


SHIMANO

1987 REPAIR MANUAL

Shimano American Corporation, One Shimano Dr
Irvine, CA 92718

TO ORDER:
This reel belongs to the "Triton SpeedMaster/Triton-GT"
series. Please order parts using the abbreviation
"TGT" and the part number.



EXPLODED PARTS VIEW TRITON® SPEEDMASTER™ TSM 200GT

PARTS LIST

PART # DESCRIPTION

1. Handle Nut Plate Screw
2. Handle Nut Plate
3. Handle Nut
5. Right Side Plate Screw
6. Side Plate Screw
7. Star Drag (or
8. Cast Control Cap
9. Spacer "A"
10. Spool Tension Spring
11. Spool Shaft Bushing "A"
13. Clutch Lever Screw
14. Lock Washer
15. Clutch Lever
16. Clutch Spring
17. Clutch Cam
18. Bearing Spacer
19. Ball Bearing
20. Drag Spring Washer "H"
21. Drag Spring Washer "G"
22. Key Washer "F"
23. Drag Washer "D"
24. Eared Washer "E"
25. Key Washer "C"
26. Eared Washer "B"

PART # DESCRIPTION

28. Drive Shaft Washer
29. Anti-Reverse Ratchet
30. Drive Shaft
31. Drive Shaft Bushing
32. Spacer
33. Drive Shaft Retainer
35. Yoke Spring
37. Anti-Reverse Pawl
38. Pawl Supporter
39. Anti-Reverse Pawl Spring
41. Yoke Plate
42. Worm Shaft Retainer
43. Worm Shaft Holder Washer
44. Worm Bearing
45. Pawl Cap
46. Spacer
47. Line Guide Pawl
48. Line Guide
52. Ball Bearing
54. Click Gear
55. Idle Gear "A"
56. Idle Gear "A" Retainer
57. Spool Shaft Bushing "B"

PART # DESCRIPTION

58. Spacer "B"
59. Lock Washer
60. Idle Gear "B"
61. Idle Gear "B" Bushing
62. Click Pawl Retainer
63. Click Pawl
65. Spacer A
66. Click Button
67. Click Spring
68. Click Spring Screw
69. Drag Washer "I"
70. Spacer B
72. Level Wind Guard
73. Worm Shaft
74. Stabilizer Bar
105. Yoke
119. Handle Assembly
120. Right Side Plate
121. Drive Gear
122. Pinion Gear
125. Left Side Plate
126. Frame
127. Spool
139. "O" Ring*
140. Handle Washer*
141. Star Drag (New)*

*139, 140, 141 are used together on newer reels